

Flow EASY

Compact and functional

Helty FlowEASY is a point-wise controlled mechanical ventilation system that extracts stale air from the indoor environments and injects new, oxygenated and clean air thanks to the special F7+G4 filters fitted as standard. The extremely compact dimensions of Helty FlowEASY make it **suitable for installation even in small spaces. Ideal for a quick and easy retrofit.**

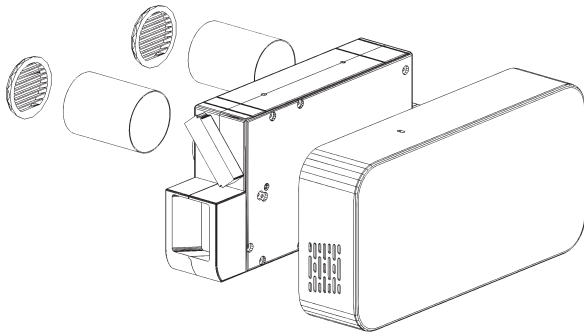
FlowEASY is designed to bring the advantages and comfort of **continuous dual-flow HRV** to individual rooms in already inhabited buildings, where an adequate air exchange is needed, even at night thanks to the night mode.

It is ideal for rooms of up to 20 square metres. Installation is simple and maintenance is reduced to the bare essentials: simply **replace the filter yourself** when alerted to do so by the panel warning LED, no need to call a service technician.



*Installed
in less than one hour*

Wall installation is very quick and does not require any particularly expensive or invasive work. It is necessary to drill two 8-cm diameter through holes in the perimeter masonry and connect the system to the power supply. Helty FlowEASY can also be installed vertically in case of very small spaces.



Thanks to the supplied infrared remote control, it is easy to operate from anywhere in the room.

<p>91% Heat recovery efficiency</p>	<p>18 dB(A) Sound pressure</p>	<p>42 m³/h Maximum air flow</p>	<p>F7+G4 Air intake filtration</p>	<p>-36.7 kWh/m²a SEC energy consumption (temperate climate)</p>
--	---	---	---	---

Technical data

Energy efficiency class **A**

Specifications	UoM	Value
Air flow rate	m ³ /h	10/17/26/37/42 ⁽¹⁾
Flow adjustment		4 stages + hyperventilation
Power consumption	W	3.6/5.5/9/17.5/20 ⁽¹⁾
Specific power input	W/m ³ /h	0.35/0.32/0.35/0.49/0.48 ⁽¹⁾
Power supply voltage	V AC	230
Operating voltage ⁽²⁾	V DC	24
Max. current consumption ⁽³⁾	A	0.17
Weight	kg	3
Product dimensions (H x W x D)	mm	560 x 280 x 120
Core-drilled holes	mm	2x Ø80
Heat exchanger		enthalpy with cross-flow countercurrent
Heat recovery efficiency	%	91
Sound power level ⁽⁴⁾	dB(A)	29.5/34.9/42/50.7
Sound pressure ⁽⁵⁾	dB(A)	18/23.4/30.5/39.2
Facade noise abatement Dn, e, w	dB	45
Filters (intake / extraction)		F7+G4 / G2
Energy efficiency class (cold / temperate / hot)		A+ / A / E
SEC (cold / temperate / hot)	kWh/m ² a	-73.8 / -36.7 / -13.3
Unit type		UVR-B bidirectional
Specific Power Input SPI ⁽⁶⁾	W/(m ³ /h)	0.35
Internal leakage rate ⁽⁶⁾	%	0.8
External leakage rate ⁽⁶⁾	%	0.9
Air flow sensitivity (variations +20 Pa to -20 Pa)		Class S1
Internal/external air tightness		Class S1

1. In hyperventilation mode

2. The use of the supplied power supply allows power to be supplied at 230 V AC. To be connected during installation.

3. With 230 V AC supply voltage

4. According to UNI 3744:2010

5. Measured in a 30 m² semi-anechoic environment at a distance f 3 m

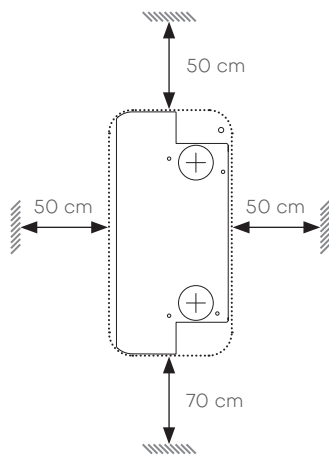
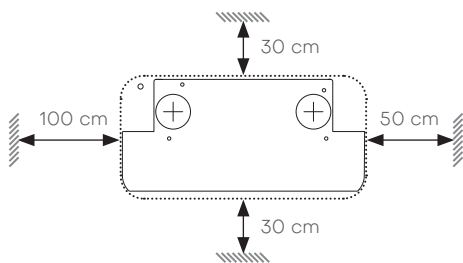
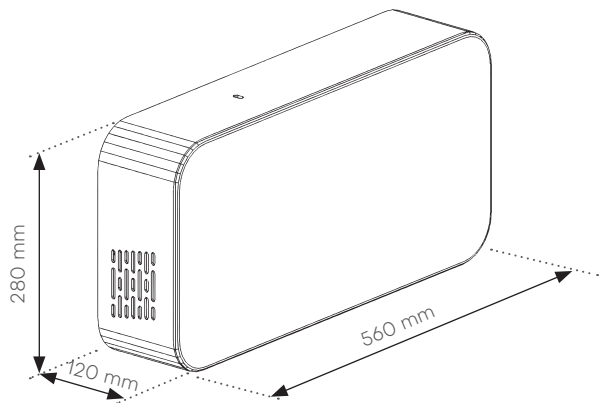
6. In accordance with EN 13141-8:2014-09

.....

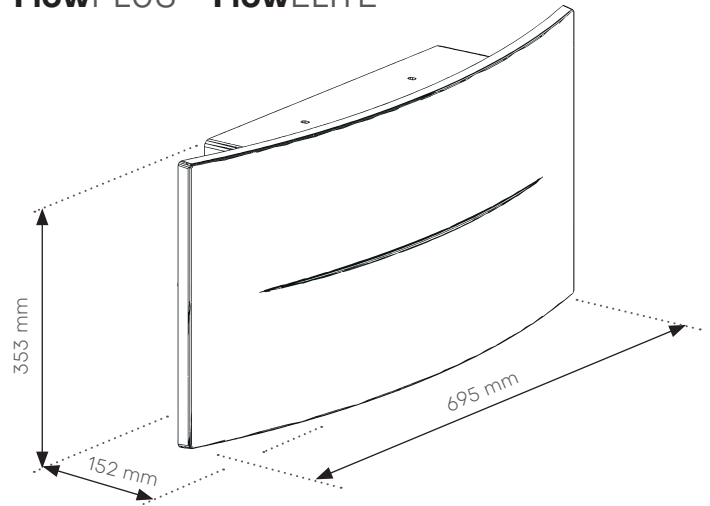


Flow wall-mounted HRV dimensions

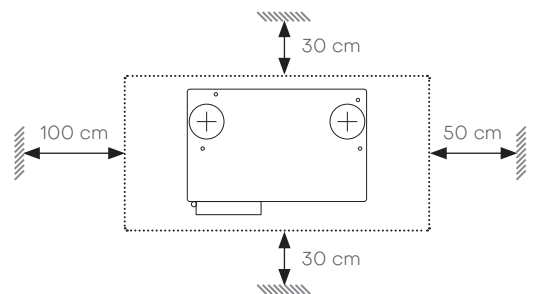
FlowEASY



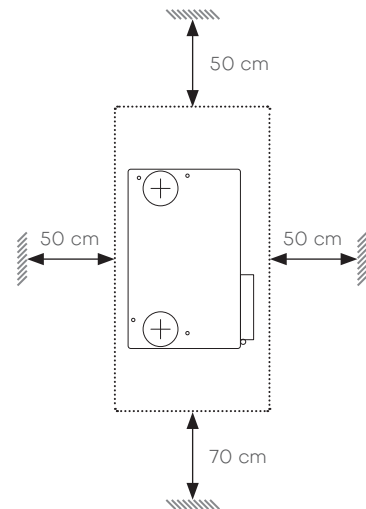
FlowPLUS - FlowELITE



Horizontal orientation



Vertical orientation



Flow wall-mounted HRV installation

Wall-mounted HRV systems allow plug-and-play installation. Fitting requires two small 80-mm core-drilled holes in the masonry, inserting and sealing the conduits in the masonry section, fixing the unit to the wall with pressure screws, electrical connection and positioning the external grilles. **With the 100 mm ducting kit (optional), the grilles can be installed directly from inside the house.**

For more details, please refer to the instruction manual. For improved air distribution and optimal acoustic comfort, the recommended installation position is a central point of a wall of the room to be ventilated, as high as possible (compatibly with the minimum recommended distances) and preferably in a horizontal configuration.

